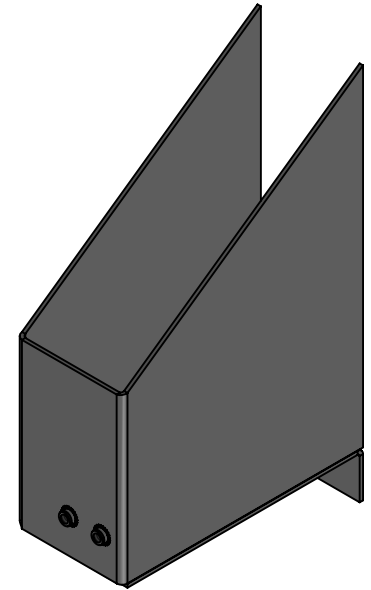
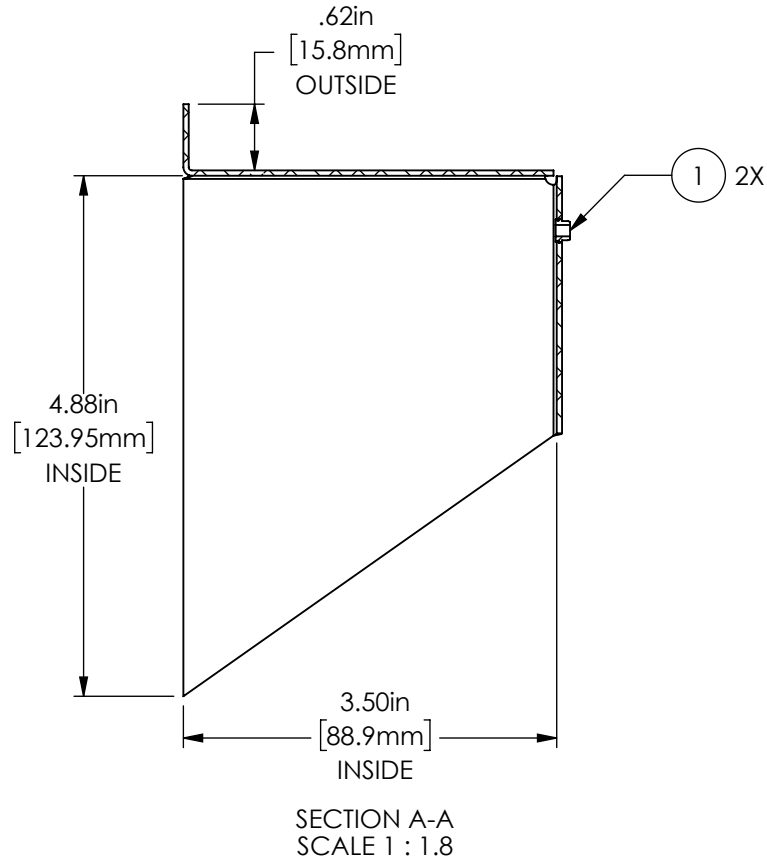
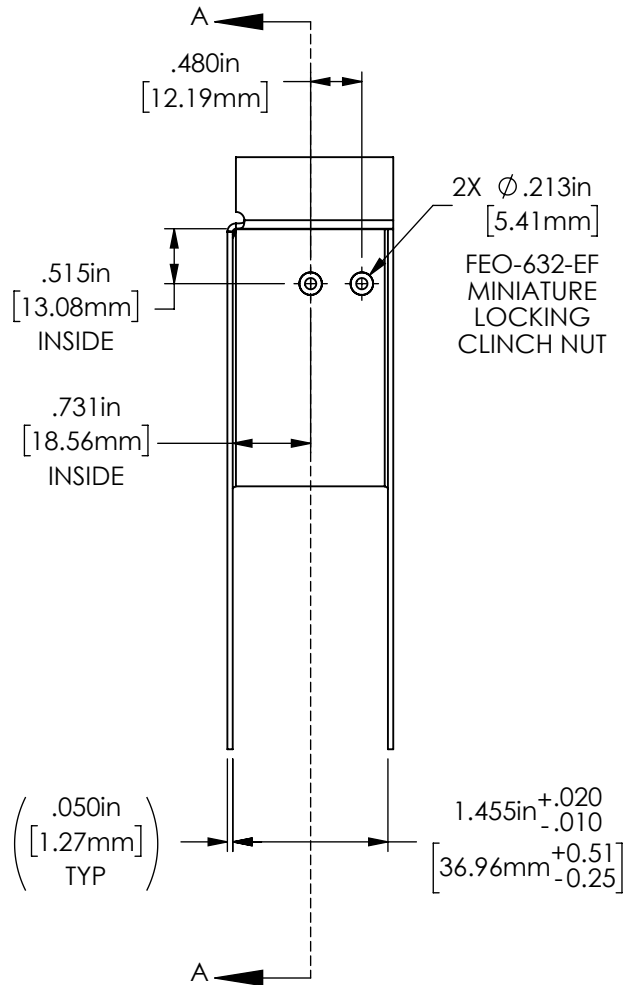


REVISION		
REV.	DESCRIPTION	DATE
D	Fixed issues with model that were initially broken when transferring to Solidworks	6/4/2020



ITEM NO.	PART NUMBER	DESCRIPTION	QTY
1	FEO-632-EF OR EQUIV	SELF CLINCHING NUT	2

UNLESS OTHERWISE SPECIFIED: TOLERANCES IN INCHES & PER ANSI Y14

ANGLE: MACHINED  $\pm .5^\circ$  BEND  $\pm 1.0^\circ$   
 CUT FEATURE TO CUT FEATURE  $\pm .005$   
 CUT FEATURE TO FOLD  $\pm .020$   
 CUT EDGE TO CUT EDGE  $\pm .010$   
 CUT EDGE TO CUT EDGE (OVER 24")  $\pm .020$   
 FOLD TO FOLD  $\pm .010$   
 HOLE DIA PUNCHED .000 - .250  $\pm .003$   
 HOLE DIA PUNCHED .251 - .500  $\pm .005$   
 HOLE DIA PUNCHED .501 - 10.00  $\pm .010$   
 HOLE DIA MACHINED  $\pm .005$   
 ALL OTHERS  $\pm .003$

	NAME	DATE
DRAWN BY	THW	6/4/2020
CREATED BY	DAW	8/6/2018
ENGINEER	DAW	7/23/2018



19825 141st PL NE  
 Woodinville, WA 98072  
 425-402-0433  
 www.dynonavionics.com

TITLE:

**BRACKET ALUM AP MOUNT**

MATERIAL  
 ALUM 5052-H32 .05 THK  
 FINISH  
 MED GRAIN (TIME SAVER)

SIZE	DWG. NO.	REV
<b>A</b>	101049-000	<b>D</b>

**PROPRIETARY AND CONFIDENTIAL** Permission from Dynon Avionics required for duplication

SCALE: 1:2	PROJECT ASSOCIATION	SHEET 1 OF 2

NOTES: UNLESS OTHERWISE SPECIFIED

1. DATA FILE AVAILABLE UPON REQUEST.
2. ALL DIMENSIONS ARE IN INCHES AND AFTER FINISH. UNSPECIFIED FEATURES SHALL DIVERT TO PART MODEL AS FINAL AUTHORITY.
3. ALTERNATE DIMENSIONS ARE SHOWN AS [XX.XX].
4. PARTS SHALL BE FREE OF ALL BURRS, SHARP EDGES, OILS ETC.
5. CRACKS, BREAKS, AND TEARS NOT ALLOWED ON BENDS UNLESS NOTED.
6. ANY SUBSTITUTIONS OR DEVIATIONS REQUIRE WRITTEN AUTHORIZATION FROM DYNON AVIONICS ENGINEERING DEPT.
7. REFERENCE PO FOR SHIPPING INSTRUCTIONS.
8. CERTIFICATION OF CONFORMITY REQUIRED FOR EACH SHIPMENT.

101049-000 - BRACKET ALUM AP PNL MOUNT

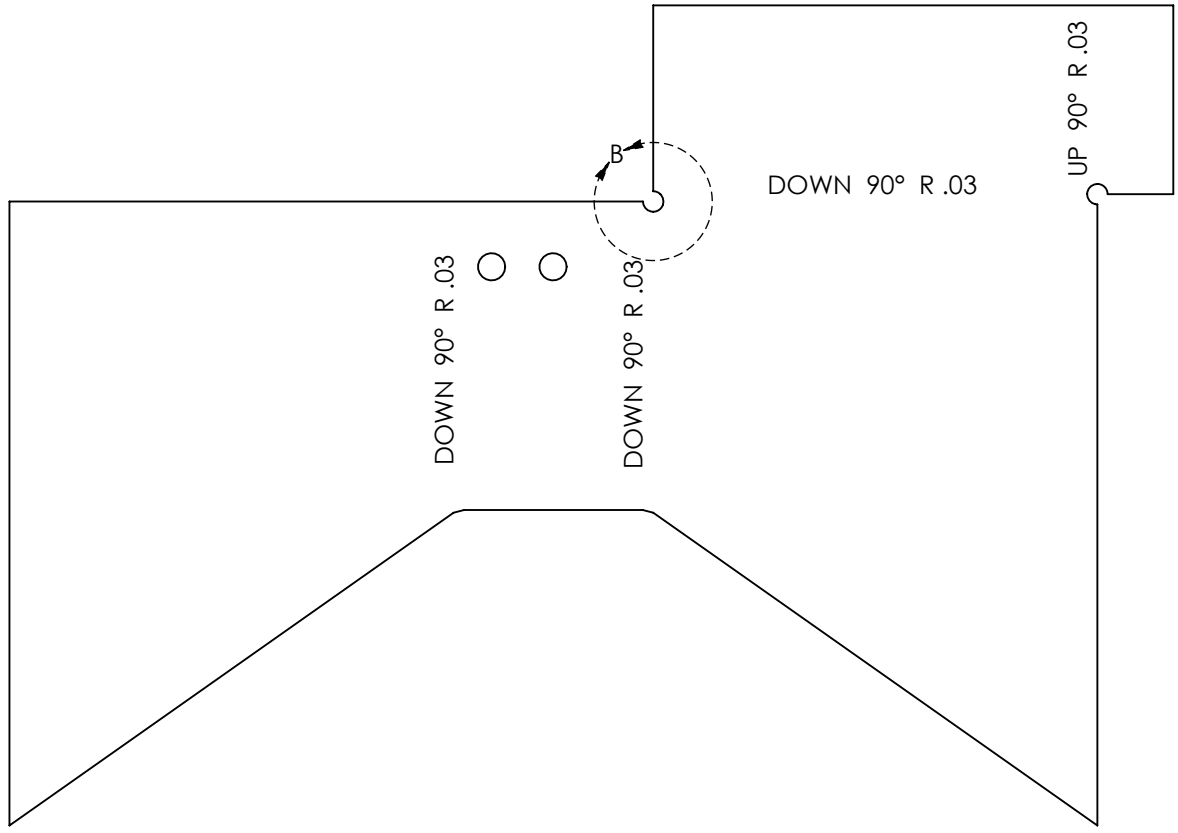
5

4

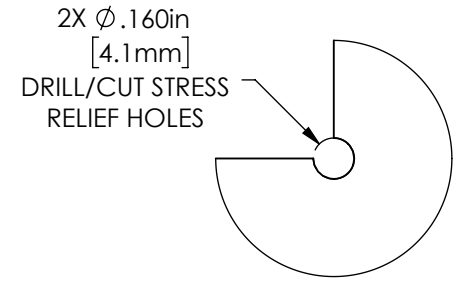
3

2

1



**FLAT PATTERN FOR LOCATING RELIEF HOLES**



DETAIL B  
SCALE 2 : 1.5

TITLE:		
BRACKET ALUM AP MOUNT		
SIZE	DWG. NO.	REV
<b>A</b>	101049-000	<b>D</b>
SCALE: 1:2	DO NOT SCALE DRAWING	SHEET 2 OF 2